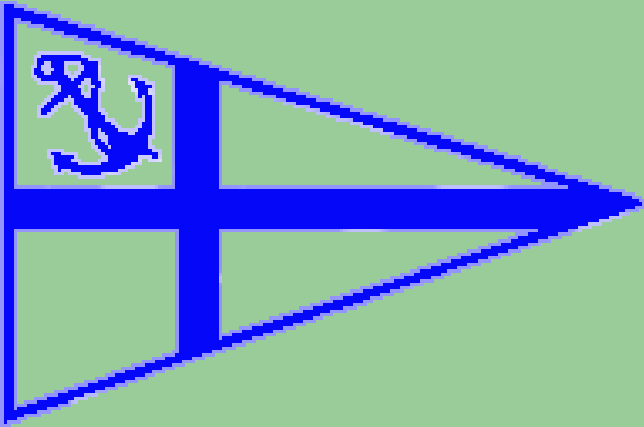


Jamestown Yacht Club



2024 Skippers Meeting
30 April 2024

Cheryl Rienzo
JYC Fleet Captain/RC Chairperson
401.782.7271
fleetcaptain@jyc.org

2024 Race Schedule as of April 2024

- Skippers Mtg/Regist open **Tues 4/30**
- Spring series **Tues 5/14-6/11**
 - Spring Regist closed*/Summer open **Tues 5/28**
- Spring Race gathering **Tues 6/11 @ CYC**
- Summer & Crew Rotation **Tues 6/18-8/27**
 - Summer/All Ser Regist closed*/Fall open **Tues 8/13**
- Fall Series **Sun 9/8-10/6**
- Install & Awards Banquet **Sat 11/23 @
Quonsett O'Club**

* Registration closure dates dependent on # of race qualifiers so are subject to change

JYC Race Area & Courses



STARTS AT SPECIAL RACE MARK C - JAMESTOWN YACHT CLUB RACE COURSES

Course	Marks	Dist	Course	Marks	Dist	Course	Marks	Dist	Course	Marks	Dist
Wind 250-210° / 070-030°			Wind 210-190° / 030-010° (continued)			Wind 190-170° / 010-350° (Continued)			Wind 070-050° / 250-230°		
1	Zp6sZs	3.3	38	Zp13pZs	3.8	76	Dp6sDs	6.7	107	11p13pTs	3.0
2	ZpSsQs	4.1	39	ZpSp13pRs	5.0	77	Dp13pRs	6.8	108	Xp13pTs	3.2
3	ZpSsOp	5.9	40	ZpTpZpTpZs	4.3	78	RpSs2s	4.3	109	XpCs13p	4.4
4	ZpSsPs	7.6	41	ZpSsDs	4.6	79	RpSsDs	5.0	110	XpCsXp	5.7
5	ZpSsNp	10.0	42	ZpSsPs	7.6	80	Rp13s2s	6.1	111	XpCsVp	7.0
6	Zp18p	10.3	43	ZpVpZs	6.8	81	Pp13pRs	8.6	112	XsZpTp	4.8
7	18sZs	10.0	44	13sTp11p	4.0				113	11sZpTp	4.0
			45	13sZpTp	3.5	Wind 170-150° / 350-330°			114	XsZp11p	6.5
			46	13sZpTpCs13s	5.1	82	2pTp	4.0	115	Xp13sVp	5.6
8	ZpCp	2.0	47	13sRpSpZsTp	5.2	83	2pCp	3.7	116	11sZs	3.0
9	ZpTpCp	2.5	48	VsRsZsVp	10.7	84	2p13p	4.7	117	11sRs	3.8
10	ZpTp13pCp	3.4	49	13sZs	2.5	85	2p6sYs	4.4	118	11sZpSsZs	4.2
11	Zp13p	3.1	50	13sRs	3.4	86	2pSp2s	4.9	119	11sZpTsZs	4.5
12	ZpSp13p	3.5	51	13sZpTsZs	4.0	87	2pCs2s	6.4		XsQs	5.3
13	Zp11p	4.0	52	13sPs	7.9	88	2pCpRsZs	5.2	Wind 050-000° / 230-180°		
14	ZpXp13p	4.5	53	13sDp6pRs	6.4	89	2p13sTsCp2s	7.8	(Non-C Starts)		
15	Zp11p13pTs	4.2	54	VsZs	5.3	Wind 150-130° / 330-310°			120	CsZpCp	2.5
16	ZpXp	4.7	55	VsRs	5.9	90	SpCpRs	3.5	121	CsZs	1.8
17	Zp13sTp13p	4.3	56	Vs11s13pRs	6.5	91	SsZp6sRs	4.3	122	CsRs	2.5
18	Zp13sRsCp	5.1	57	VsDs	7.3	92	Yp2p2s	5.0	123	CsSsZs	2.4
19	ZpTsRs13p	5.2	58	VsRsTsRs	7.9	93	YpSp2sRs	5.3	124	CsSsRs	3.0
20	Zp13sRpTp	5.4	59	Vs11s13pDs	7.9	94	Yp6pSp2s	5.1	Wind 340-020°		
21	ZpVp	6.0	Wind 190-170° / 010-350°			95	SpCp2s	4.6	125	Pp13p	7.3
22	ZpVs11s	6.5	60	RpCp	2.5	96	Sp15p2s	6.5	126	Kp13p	10.8
23	ZpSsPs13p	8.4	61	Rp13p	3.7	97	YpZp2pSsYs	7.6	127	NpPpQpNp	15.1
24	ZpSp2s	2.5	62	Rp11p	4.5	Wind 130-110° / 310-290°					
25	ZpTpZs	2.8	63	DpCp	4.3	98	Tp13s11s	3.5			
26	ZpTsQs	4.5	64	RpCsSp13p	4.9	99	Tp13s11sCpTs	4.0			
27	ZpTsDs	5.0	65	Dp13p	5.3	100	TsFpRp	3.3			
28	ZpTsOp	6.5	66	RpXp	5.1	101	TsZpYp	4.4			
29	ZpCpZs	2.8	67	Rp13s11pXp	5.7	102	TsFp2pYp	4.8			
30	ZpTsRs	3.5	68	RpCpRp13p	5.7	103	Tp13pZpYp	5.5			
31	Zp13sRs	4.6	69	RpVp	6.4	Wind 090-070° / 270-250°					
32	Zp13sDs	6.0	70	RpSsRs	3.5	104	11pCp11p	4.8			
33	Zp13sOp	7.4	71	Rp6pRs	3.8	105	11p13sXsCsXs	5.6			
34	Zp13sPs	9.2	72	RpCpRs	4.0	106	11p13sXsCsVp	7.5			
35	Zp11pZs	4.3	73	Rp13pRs	5.2						
36	ZpXpZs	5.3	74	Dp6pRs	5.3						
37	ZpSpZpRp	3.5	75	DpCpRs	5.8						

2024 updated JYC course list: Pending new 2024-2026 South Bay Race Chart, the 2023 Chart (map side) may still be used for mark locations; cannot be used for JYC course list (use 2024 Race Book Section 7).

2024 Race Book Updates

- Revised JYC Course listing
 - Consolidated Upwind/Downwind courses & removed courses not used in 10 years, added new ones to adjust for latest fleet performance
 - Special thanks to the committee who helped with this update
- NOR Para 1.7 updated schedule of racing for 2024
- NOR Para 1.15 updated to reflect \$200K liability insurance vs previous \$50K
- SI Para 2.7.4 added to address Change of a Leg of the Course during a race

2024 Race Book Updates (continued)

- SI Para 2.8 updated Special Race Marks info
 - Approx. locations of C & Z
 - Added note regarding Buoy F as a turning mark as well as the Finish
- SI Para 2.14 updated to better define what constitutes interference with a commercial vessel and subsequent penalties to be applied
- Para 9 Calendar updated for 2024

2024 Race Book Reminders

- Requirement to maintain watch on VHF channel 72 during race and check out with RC if withdrawing from the race for any reason; recommend watch on VHF channel 13 as well
- Note, Narragansett Bay is a restricted waterway for commercial traffic, and therefore falls under NOR para 1/subpara 5 restrictions

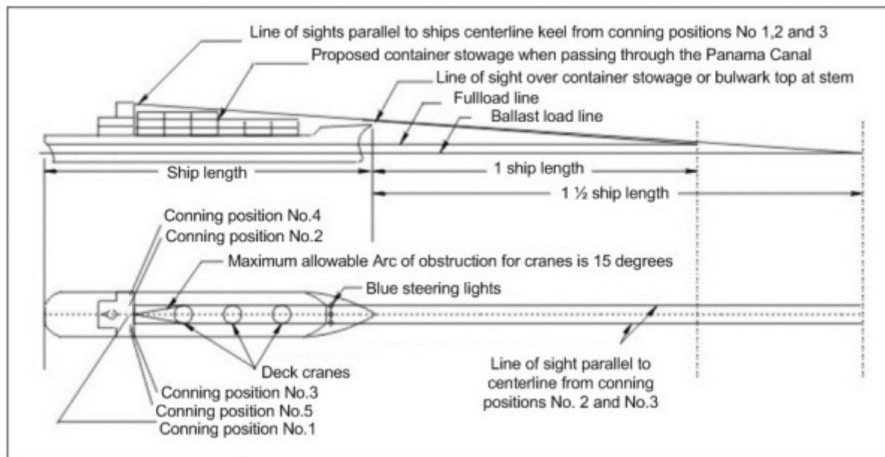
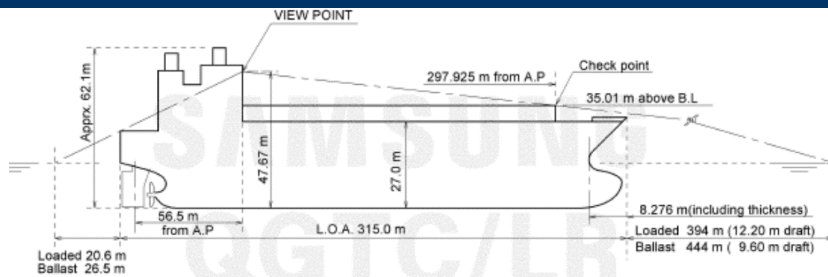
Other On the Water Notes

- RC will no longer be hailing “All Clear”; watch the flags
- RC may be using a mark/support boat when available
- RC will have an AED on board if needed in an emergency

Season Reminders

- As typical, our Class Splits will depend on registrations received
- South Bay congestion
 - Race area is Navigation Channel to be shared with commercial traffic
 - Sharing space with Newport YC one-design racing
- Para 8 Emergency protocol – recommended to use Pierotti Park landing as this is closest for land rescue crews

Safety Discussion – Commercial Traffic



Note the size of the blind spot that these large commercial vessels have

- Dave Kane, Surface Warfare Schools Command (SWSC) instructor, presentation on Navigation in our narrow channel

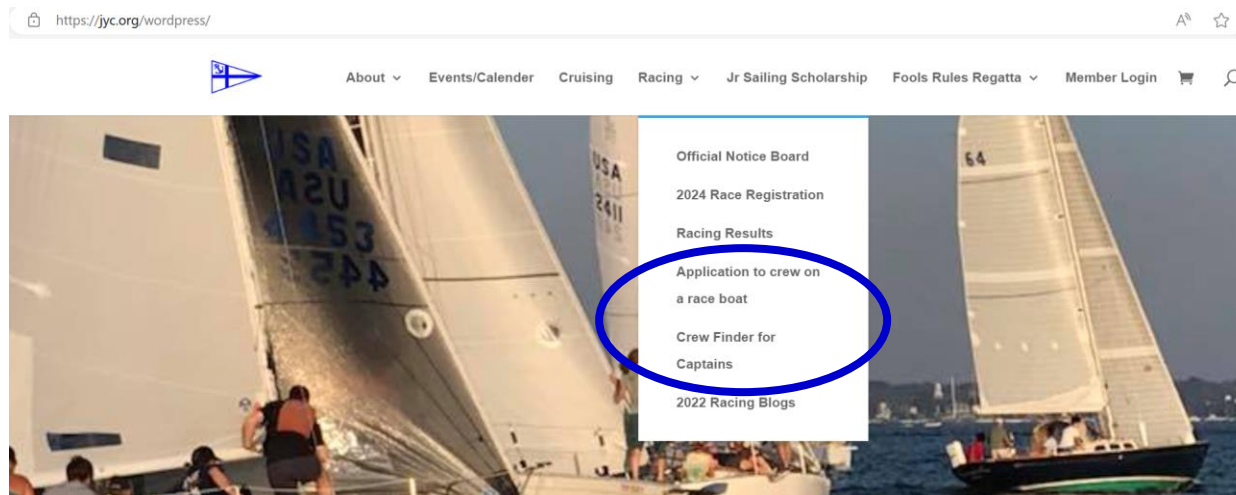
Safety Discussion – Commercial Traffic

- Summary of Dave Kane's presentation
 - Discussion of US Inland Navigation Rules 7-9; in our narrow channel racing area, racing yachts are considered to be the impeding boat
 - Can use VHF 13 securite calls from commercial vessels (typically done at Castle Hill, Newport Bridge and north end of Jamestown (heading west) or Sandy Point (heading north-east) when incoming to the Bay) to determine how fast the vessel is coming in and prepare appropriately
 - “Handle your yacht like a true Corinthian; keep out of their way, make your move early and DON'T FREAK THEM OUT!”
 - Remember how large their blind spot area is

On-line Racing Support @ www.jyc.org (1 of 2)

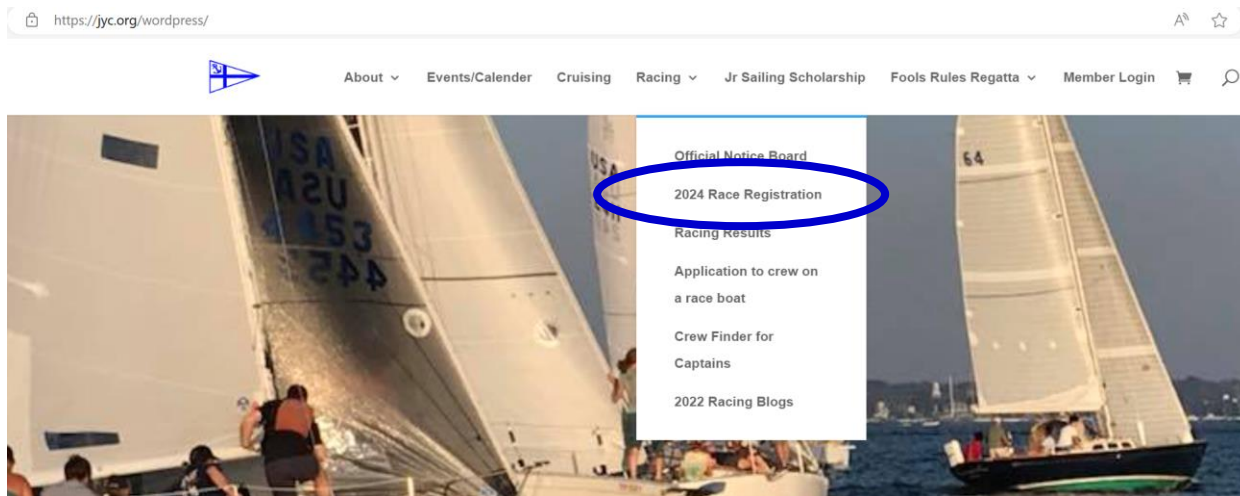
- Crew Finder

- Folks wishing to sign up as crew fill out the on-line application; your info will be posted on the JYC website for racing Captains to view and contact you



On-line Racing Support @ www.jyc.org (2 of 2)

- On-line Registration
 - Entry forms, including waiver can be filled out at www.jyc.org/racing
 - PHRF can be uploaded online as well
 - On-line payment option



And our Social side....

- JYC/CYC Spring Race Gathering
 - Tues 6/11 après Race @ CYC
 - Cash bar
 - Pricing from CYC Grill Menu (no change from 2023 pricing!)
 - Separate notices to be sent closer to the event
 - RSVP to C Rienzo with headcount; meal/bar payment to CYC directly



CONANICUT YACHT CLUB

Waterfront Grill

Menu

All grill items served with Chef's choice salad

4oz Hamburger 8

4oz Cheeseburger 8

8oz Double Burger 14

8oz Double Cheeseburger 14

Hot Dog 8

Twin Dog 12

6oz Grilled Chicken Breast 12

4oz Beyond Beef Burger 12

Chef's Special 22

Question to the Fleet

- JYC RC requesting feedback on race schedule for next season
 - Delay Spring Series start 1 or 2 weeks
 - Fall Series would end over Columbus Day weekend
 - Please send your thoughts to FleetCaptain@jyc.org

A decorative graphic on the left side of the slide, consisting of a light green vertical bar and a white rounded rectangle with a dark blue horizontal bar extending from its left edge.

**Thank you & hope
to see you on the
water soon**